

Q370M-IM-A

Micro ATX , LGA1151 socket for 9th/8th Gen CPU, Q370 chipset, 4*U-DIMM, 1*PCIe x16, 2*DP, HDMI, D-SUB, Intel® vPro support



Features

- Supports up to 3 display configuration by multiple interface:
Dual DP/HDMI/D-SUB
- 7-year longevity supply
- Wide temperature range endurance: 0~60 °C

Specifications



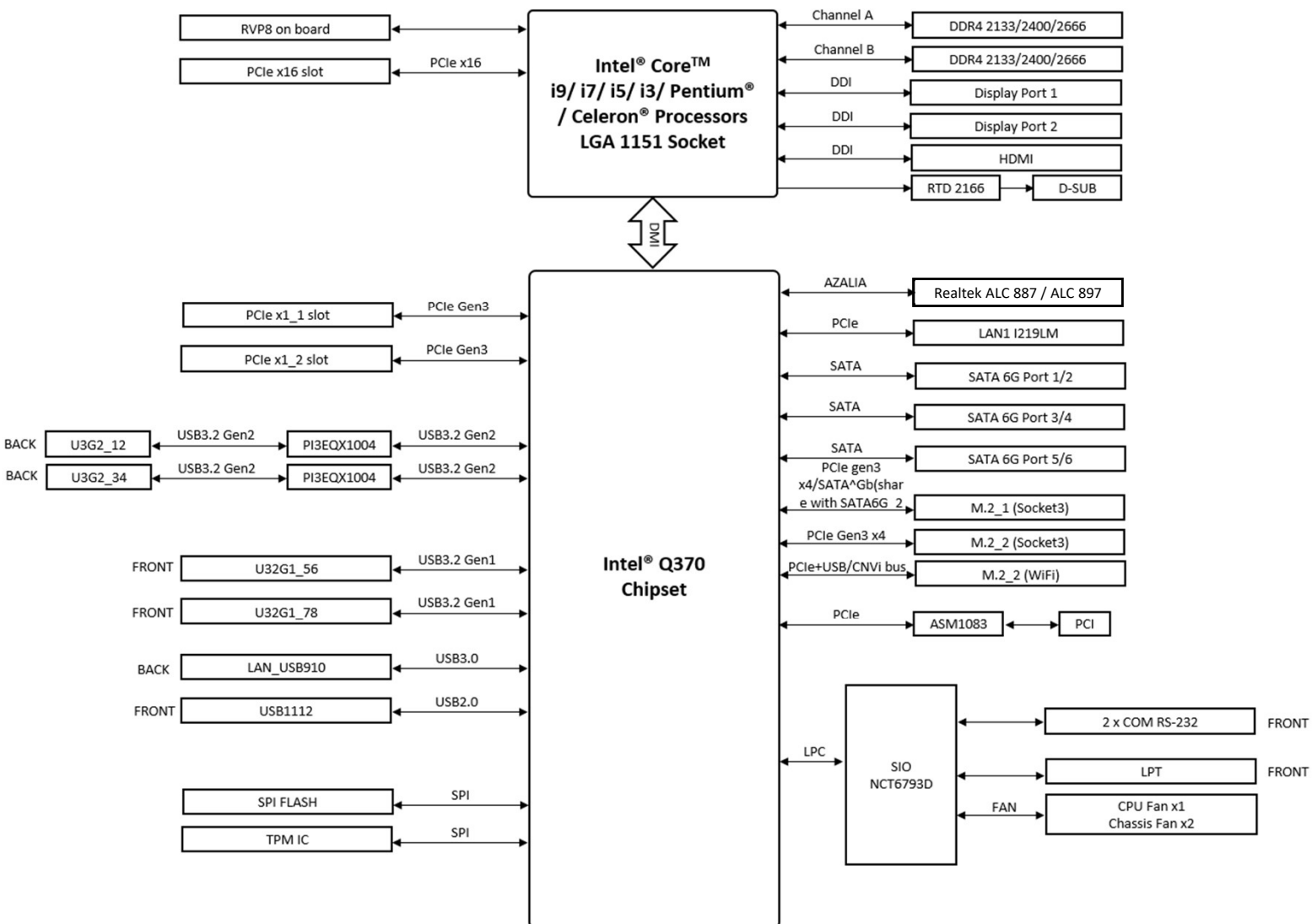
PROCESSOR SYSTEM	CPU	LGA1151 socket for 9 th /8 th Generation Intel® Core™ i9/ i7/ i5/ i3/Pentium®/Celeron® Processors
	CHIPSET	Intel® Q370 Chipset
MEMORY	Technology	DDR4 2666/2400/2133MHz
	Max.	64GB
	Socket	4 x U-DIMM
Display	Controller	Intel UHD Graphics 630/610
	HDMI	1, Supports HDMI 1.4 up to 4096 x 2160 @ 24Hz / 2560 x 1600 @ 60Hz
	Display Port	2, Supports DP 1.2a up to 4096 x 2304 @ 60 Hz
	D-Sub	1, Supports up to 1920 x 1200 @ 60Hz
	Multi Display	Dual DP +HDMI+D-SUB, DP+HDMI+D-SUB, Dual DP+HDMI, Dual DP+D-SUB,
EXPANSION SLOT	PCIe	1 x PCI Express 3.0/2.0 x16 2 x PCI Express 3.0/2.0 x1 1 x PCI
	M.2	2 x M.2 Socket with M Key, type 2242/2260/2280 storage devices with IRST support(1@ SATA* & PCIE mode), SATA mode share with SATA6G_2. Ready for Intel® Optane Memory 1 x M.2 Socket with E Key, type 2230 Wi-Fi devices support
ETHERNET	Speed	10/100/1000Mbps
	Controller	1 x Intel® I219LM, supports WOL/PXE
	Connector	1 x RJ-45
AUDIO	Codec	Realtek® ALC887/ALC 897* , High Definition Audio
	Connector	Line-in, Line-out, Mic-in
STORAGE	SATA port	6 x SATA 6.0 Gb/s ports (gray), support Raid 0,1,5,10
Rear I/O	PS/2	1 x Keyboard (Purple), 1 x Mouse port (Green)
	DisplayPort	2
	HDMI	1
	D-SUB	1
	Ethernet	1
	USB	USB 3.2 Gen 2 (TypeA)x 4, USB 2.0 (TypeA) x 2
Internal Connector	Audio	3 Audio jacks support 8 channel
	Serial Port	2 (2 x RS 232)
	USB 3.2 Gen 1	2, support additional 4 x USB 3.2 Gen 1 connectors
	USB2.0	1, support additional 2 x USB2.0 connectors
	fan header	1CPU fan x 1, Chassis fan x 2
	Chassis intrusion header	1
	Front panel audio header (AAFP)	1
	System panel header	1
	Clear CMOS jumper	1
	LPC Debug header	1
LPT port header	1	
Power connector	1 x 24-pin ATX Power connector, 1 x 8-pin ATX 12V Power connector	

*The audio codec may vary between models, please consult your sales window for the device's exact codec type.

Specifications

Internal Connector	Speaker connector	1
	MONO-out header	1 (with AMP IC)
	DIS ME jumper	1
WATCHDOG TIMER	H/W	No
Security	TPM	TPM 2.0 IC Onboard (NPCT750)
POWER	Power Type	ATX power
Operating System	Microsoft Windows	Windows® 10 (64bit) / Win10 IoT Enterprise
	Linux	Ubuntu, RedHat Enterprise, Fedora Workstation
ENVIRONMENT	Operating Temperature	0~60° C
	(Non-Operating Temperature	:-40~85° C
DIMENSION	Form Factor	Micro ATX, 9.6 x 9.6 inches (24.4 x 24.4 cm)
Certification	EMI & Safety	CE, FCC

Block Diagram



Order Information

Model name	Part number	Description
Q370M-IM-A	90ME01K0*	LGA1151,Q370,USB3.1,2*DP,MB

* The part number might vary for different regulations and package. Please consult the TPM in your region for exact 90PN.

Packing List

Part number	Description	Quantity
13020*	IO shield	1
14013*	SATA 6G CABLE	1
13020*	M.2 screw pack 2IN1	1
13020*	M.2 screw pack	1

* The part number might vary due to part number revision.