

# PE200U

Intel® Core™ i7/i5/i3 Processor, DDR4 2400MHz, DP, HDMI, Dual-LAN, Multiple COM, 12-24V DC

## Features

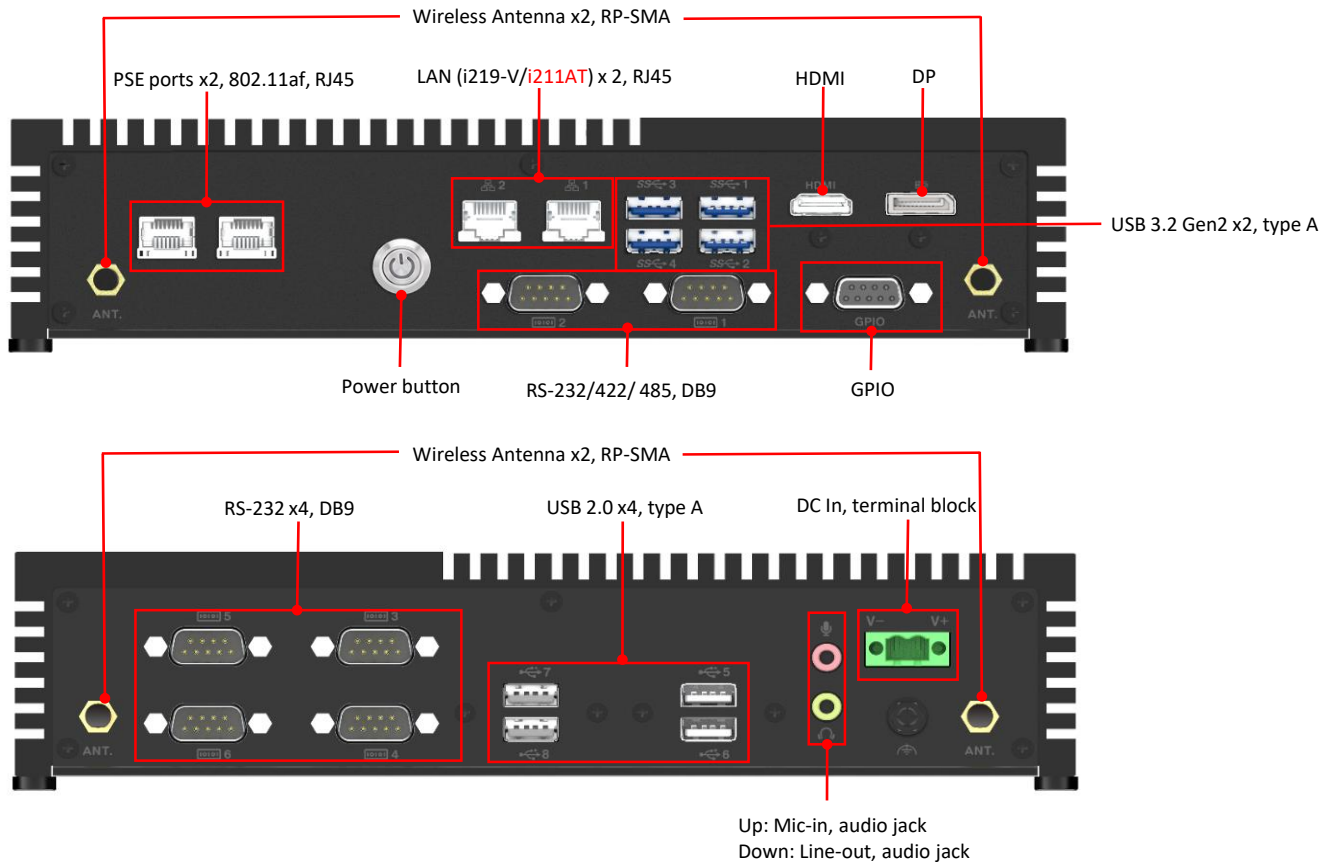
- Supports 2 x RS-232/422/485, 4 x RS-232
- Supports dual independent video outputs
- Supports Windows® 10 IoT Enterprise or Linux OS
- Wide Operating Temperature Range: -20~60°C



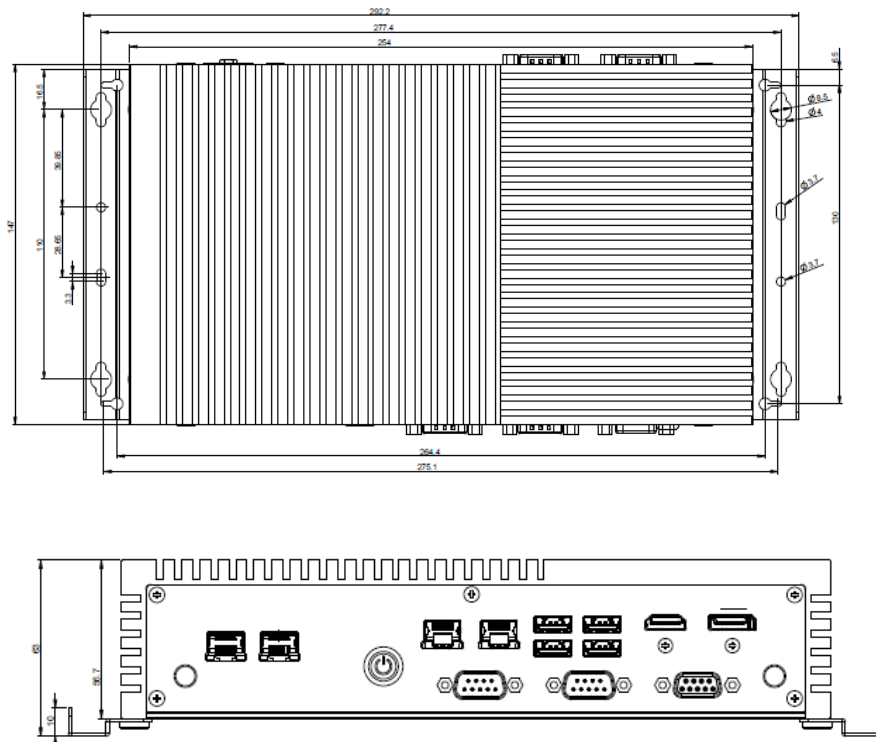
## Specifications

System	CPU	Intel® Core™ i7-8665UE	Intel® Core™ i5-8365UE	Intel® Core™ i3-8145UE
	TDP	15W	15W	15W
	# of Cores	4	4	2
	Base Freq.	1.7GHz	1.6GHz	2.2GHz
	Max Turbo Freq.	4.4GHz	4.1GHz	3.9GHz
	Memory	1 x SO-DIMM, DDR4 2400 MHz, supports up to 32GB		
External Interfaces	Display	1 x HDMI 1.4, supports up to 4096 x 2160 @ 24 Hz 1 x DP 1.2a, supports up to 4096 x 2160 @ 60 Hz		
	Ethernet	2 x 10/100/1000 Mbps, RJ45 (1 x Intel i219-V (1Gb)/1 x Intel i211AT (1Gb)) 2 x 802.11af PSE ports, RJ45 (optional) 2 x 10/100/1000 ethernet ports, RJ45 (optional) *either one		
	USB	4 x USB 3.2 Gen 2, type A 4 x USB 2.0, type A (optional)		
	Audio	1 x Mic-in, phone jack 1 x Line-out, phone jack		
	COM	2 x COM: RS-232/422/485, DB9 4 x COM: RS232, DB9 (optional)		
	GPIO	1 x 8bit GPIO, DB9		
Storage	SATA	1 x SATA 6 connector supports 2.5" SSD		
	mSATA	1 x mSATA slot (shared with Mini PCIe socket)		
Expansion Slot	Mini PCIe	1 x Mini PCIe socket ( SATA / PCIe / USB 2.0 mode)		
	M.2 M Key	1 x M.2 2242 M-key socket, ( SATA / PCIe mode)		
	M.2 E Key	1 x M.2 2230 E-key socket (PCIe / USB2.0 / CNVi mode) (supports BT/Wi-Fi module/ Google TPU module)		
	SIM	1 x nano-SIM slot		
Power	Power input	12 to 24 V DC, 2-pin terminal block		
Mechanical	Mounting	Wall-mount/ VESA mount		
	Dimensions	254 (H) x 147 (W) x 57 (D) mm		
	Weight	2.45 kg		
Environment	Operating Temp.	-20~60°C with wide temperature parts, fanless		
	Storage Temp.	-40~85°C		
	Relative Humidity	10 to 95% (non-condensing)		
	EMC	CE (ITE), FCC , VCCI, BSMI, RCM,KCC		
	Safety	UL,CB, CCC, BSMI, CE		
	Vibration	Operating: 0.21Grms, 5~500 Hz, 20min duration		
	Shock	Operating: 50 G, half sine 11ms duration		
Green	GA (RoHS)			
Security	TPM	TPM v2.0 powered by Nuvoton NCPT 750 (Optional)		
Others	Watch dog timer	Yes. HW WDT Enable (WDT_EN)		
	Operating System	Windows® 10 IoT Enterprise (64 bit) / Linux		

# Appearance



# Dimension (mm)



# Ordering Information

90 P/N	CPU	DRAM	2.5" SATA	TPM built-in	LAN	PoE	Serial port	USB	mPCIe	M.2 2230 E-key	M.2 2242 M-key	Operating temp
PE200U_Entry	Intel® Core™ i3/i5/i7	Up to 32 GB	1	optional	2	--	2	4	1 <sup>1</sup>	1 <sup>2</sup>	1 <sup>3</sup>	-20~60°C / 0~40°C
PE200U_Semi	Intel® Core™ i3/i5/i7	Up to 32 GB	1	optional	2	--	6	8	1 <sup>1</sup>	1 <sup>2</sup>	1 <sup>3</sup>	-20~60°C / 0~40°C
PE200U_LAN FULL	Intel® Core™ i3/i5/i7	Up to 32 GB	1	optional	4	--	6	8	1 <sup>1</sup>	1 <sup>2</sup>	1 <sup>3</sup>	-20~60°C / 0~40°C
PE200U_FULL	Intel® Core™ i3/i5/i7	Up to 32 GB	1	optional	2	2	6	8	1 <sup>1</sup>	1 <sup>2</sup>	1 <sup>3</sup>	-20~60°C / 0~40°C

\* The part number might vary for different regulations and package. Please consult the local sales representative for the exact 90PN.

\* Please check with your importer or integrator for system level certification.

1. LTE/ TPU/ mSATA
2. Wi-Fi/ TPU
3. M.2 SSD

# Packing list

Description	Qty
Power terminal block to power jack adaptor, 10cm	1
PE200U Wall mount bracket	2
SATA 22P to SATA 7P+4P 15+12CM	1
2.5HDD screw pack	1
Dust cover set (1 HDMI; 1 DP; 6 DB9; 8 USB; 4 LAN; 2 audio jack; 4 SMA)	1
Quick installation guide	1

## Optional Accessories (purchased separately)

Part Number	Description
<b>ADAPTER</b>	
	Power adapter, 65W 12V, input voltage 100 to 264VAC, output voltage 12VDC with 5.41A DC load, 0 to 40°C operating temperature
	Power adapter, 120W 20V, input voltage 90 to 264VAC, output voltage 20VDC with 6A DC load, 0 to 40°C operating temperature
<b>POWER CORD</b>	
	Power cord with United States (US) plug
	Power cord with Europe (EU) plug
	Power cord with China (CN) plug
	Power cord with Japan (JP) plug
	Power cord with Australia (AU) plug
	Power cord with United Kingdom (UK) plug
	Power cord with Korea (KR) plug
	Power cord with Swiss (CH) plug
	Power cord with Taiwan (TW) plug
	Power cord with Thailand (TH) plug
<b>WIRELESS EXTENSION CABLE</b>	
	External wireless extension cable, RP-SMA to RP-SMA, 60cm
<b>4G LTE ANTENNA</b>	
	Omni-directional rubber duck GPRS/EDGE/UMTS/HSPA/LTE antenna, 704 to 960MHz & 1710 to 2690MHz, 3.5 dBi, RP-SMA, antenna length 10cm
<b>WI-FI ANTENNA</b>	
	Omni-directional rubber duck Wi-Fi antenna, 2.4/5GHz, 2dBi, RP-SMA, antenna length 8.6cm